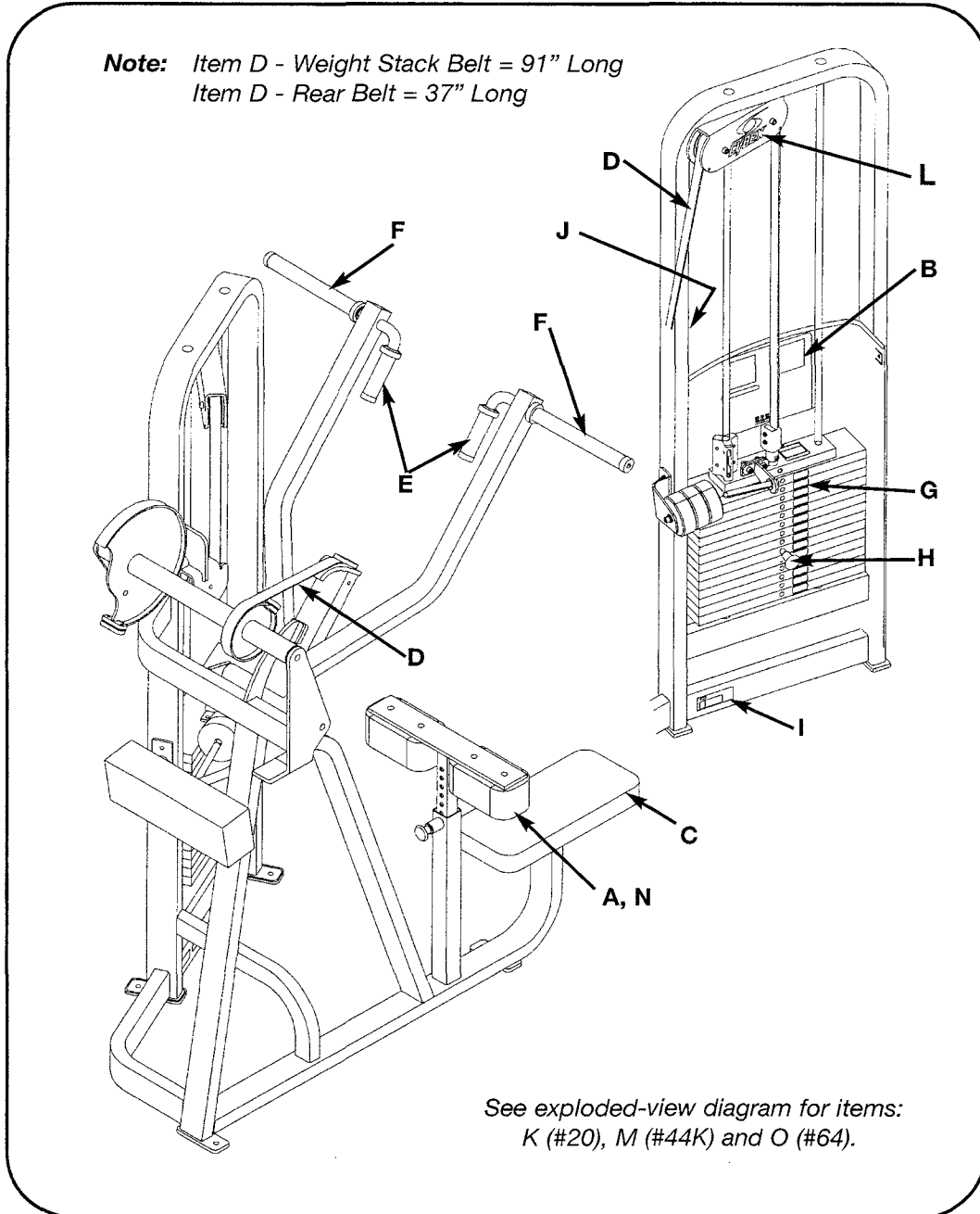


# LAT PULLDOWN - SINGLE AXIS

PRODUCT NO. 4516

PARTS LIST

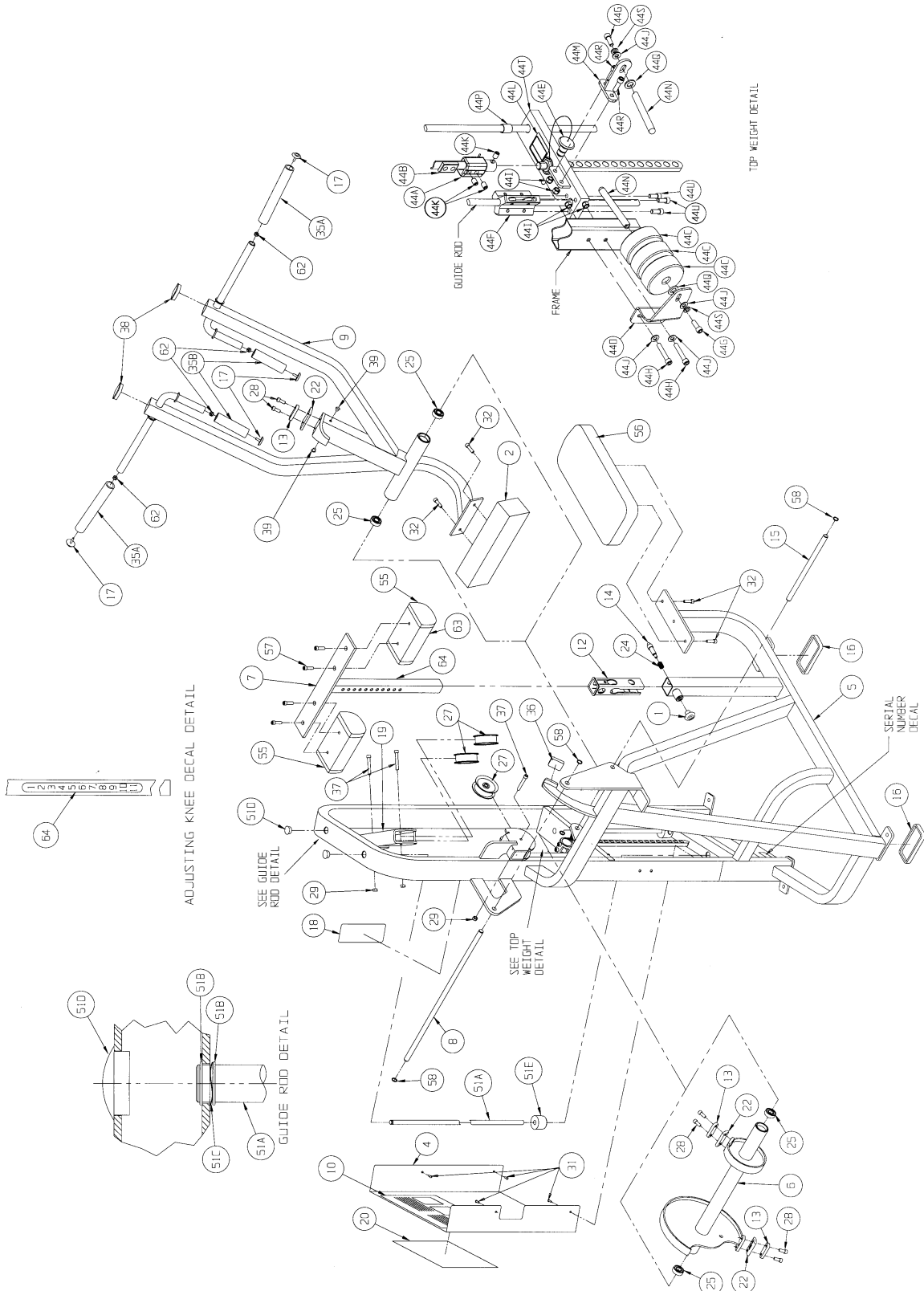


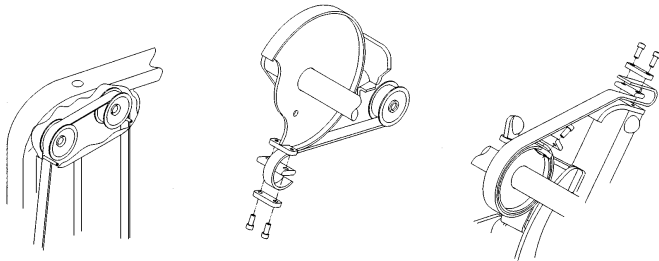
DESCRIPTION	PART NO.	DESCRIPTION	PART NO.
A. Thigh Cushion w/Wear Cover .....	4800-101	I. Serial Number Decal	
B. Placard Decal .....	4516-598	J. Warning Decal .....	4605-381
C. Seat Cushion .....	4800-022	K. Cybex Decal Blk/Plm ....	3900-391
D. Belt .....	GB000202	K. Cybex Decal Wht/Wht ..	3900-419
E. Grip 4.5" Long .....	4605-514	L. Cybex Decal Blk/Plm ....	3900-423
F. Grip 11.5" Long .....	4605-517	L. Cybex Decal Wht/Wht ..	3900-424
G. Weight Plate Decal .....	4605-388	M. Caution Decal .....	4605-424
H. Weight Selector Pin .....	BH030207	N. Wear Cove (Item A) .....	4800-101
		O. Adjusting Knee Decal ....	4810-310

### 4516 - Lat Pulldown - Single Axis

ITEM	QTY	PART NO.	DESCRIPTION	ITEM	QTY	PART NO.	DESCRIPTION
1	1	11040-440	Cybex Knob	44 B	1	11040-301	Belt Clamp Insert
2	1	ZC000001	Counterweight	44 C	3	4605-390	Increment Weight
3			Removed 8/98	44 D			Removed 3/03
4	1	4505-432	Guard	44 E	1	BH030207	Weight Selector Pin
5	1	4515-200	Frame	44 F	1	FB130208	Bearing Sleeve .68 x .81 1.00 L
6	1	4515-201	Cam	44 G	2	HC702817	SHCS .375-16 x 1.00
7	1	4515-207	Seat Post	44 H	2	HC702828	SHCS .375-16 x 2.25
8	1	4515-327	Pivot Shaft 26.06	44 I	4	HN704901	Nylon Locknut .375-16
9	1	4516-201	Arms	44 J	4	HS347600	Washer, SAE .375
10	1	4516-598	Placard Decal	44 K	1	HY740000	Set Screw
12	1	4605-512	Plastic Insert 7.94	44 L	1	4605-424	Caution Decal
13	3	4605-300	Belt Clamp	44 M	1	4700-240	Weight Mount
14	1	4605-322	Detent Pin	44 N	2	4700-318	Increment Weight Rod
15	1	4605-334	Pivot Shaft 13.06	44 O	1	4700-319	Frame Mount Increment Weight
16	4	PR070003	Foot Pad 2.00 x 5.25	44 P	2	4701-001	Top Weight Guide
17	4	11090-374	End Cap	44 Q	2	4700-321	Rubber Washer
18	1	4605-381	Warning Decal	44 R	2	JC702820	SHCS .375-16 x 1.25
19	1	3900-423	Cybex Decal 4.85 Vert. Blk/Plm	44 S	2	HS348300	Split Lockwasher .375
19	1	3900-424	Cybex Decal 4.85 Vert. Wht/Wht	44 T	1	4700-238	Top Weight
19			Removed 3/03	44 U	3	HC702816	SHCS .375-16 x .875
20			Removed 3/03	45			Removed
20	1	3900-391	Cybex Decal 11.37 Vert. Blk/Plm	46			Not Used
20	1	3900-419	Cybex Decal 11.37 Vert. Wht/Wht	47			Not Used
21	1	4605-388	Weight Plate Decal 10-290	48			Not Used
22	3	4605-394	Belt Clamp	49			Not Used
23	4	BR030210	Retaining Ring .625	50			Not Used
24	1	BS070201	Com Spring .56 x .66 x 1.50 L	51	1	4701-023	Weight Stack Guide Rod Set
25	4	FB030232	Radial Brg 17 mm ID (Ext Race)	51 A	2	4515-328	Weight Stack Guide Rod
26 A	91"	GB000202	Weight Stack Belt .95" Wide	51 B	4	BR030214	Retaining Ring .625
26 B	37"	GB000202	Belt .95" Wide	51 C	2	HS407100	Spring Washer .65 x .79 x .062 T
27	3	GP000209	Pulley Assembly 3.50	51 D	2	PN660200	Plastic Insert 1.00 Dia x 11 G
28	6	HC702822	SHCS .375-16 x 1.50	51 E	2	PR060005	Weight Bumper
29	3	HN704901	Nylon Locknut .375-16	52			Removed
30			Not Used	53			Removed
31	4	HT102214	Tap Screw #10-12 x .625 A (Phil)	54			Removed
32	4	JC702820	SHCS .375-16 x 1.25	55	2		Thigh Cushion w/Wear Cover
33			Removed	56	1		Seat Cushion
34			Not Used	57	4	HC702817	SHCS .375-16 x 1.00
35 A	2	4605-514	Grip 4.5" long	58			Removed
35 B	2	4605-517	Grip 11.5" long	59			Removed
36	1	PU060203	Bumper	60	1	4701-302	VR2 Weight Stack Instr. (not shown)
37	3	HC702830	SHCS .375-16 x 2.50	61	1	51198	Strength Warranty Sheet (not shown)
38	2	PP090210	Plastic Insert 2.00 Sq x 10-14 G	62	4	HF449063	Tube Insert
39	2	PP660006	Snap-In Plug	63	1	4800-101	Wear Cover
40			Not Used	64	1	4810-310	Adjusting Knee Decal
41			Not Used	65	14	4000C101	Stack Weight 4 x 18 (not shown)
42			Not Used	66	4	11090-376	Handle Grip Ring
43			Not Used	67	6	JS347400	Internal Tooth Lockwasher
44	1	4701-031	Sliding Increment Weight Set	68	4	JC620422	BHSCS ..250-20 x 1.50
44 A	1	11040-216	Belt Clamp				

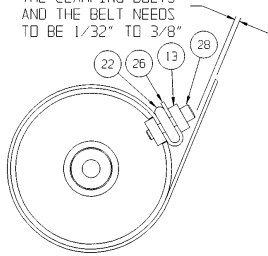
# LAT PULLDOWN - SINGLE AXIS - 4516



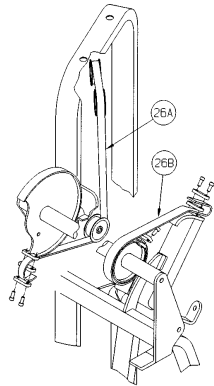


BELT ROUTING DETAIL

THE GAP BETWEEN  
THE CLAMPING BOLTS  
AND THE BELT NEEDS  
TO BE 1/32" TO 3/8"



BELT CLAMPING DETAIL



BELT ROUTING DETAIL

BELT ROUTING DETAIL